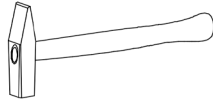
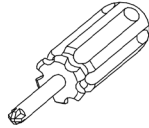
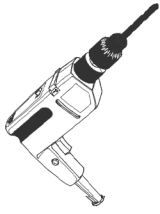
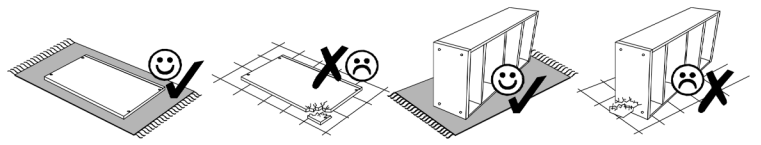
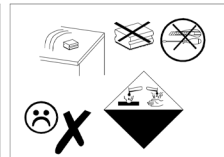
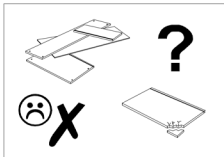
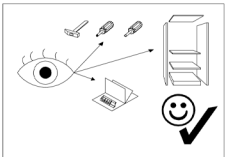
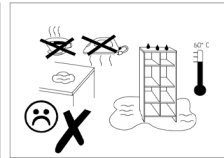
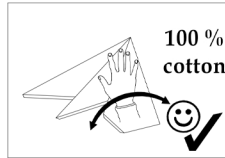
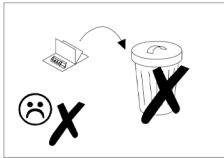
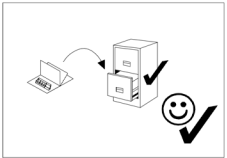
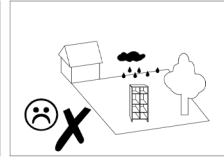
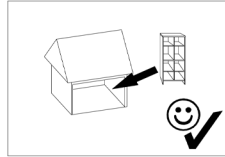
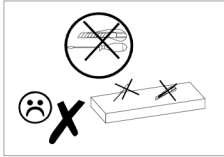
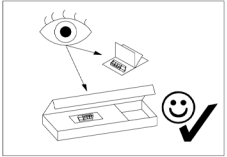


HELIO 2D3S



100 min

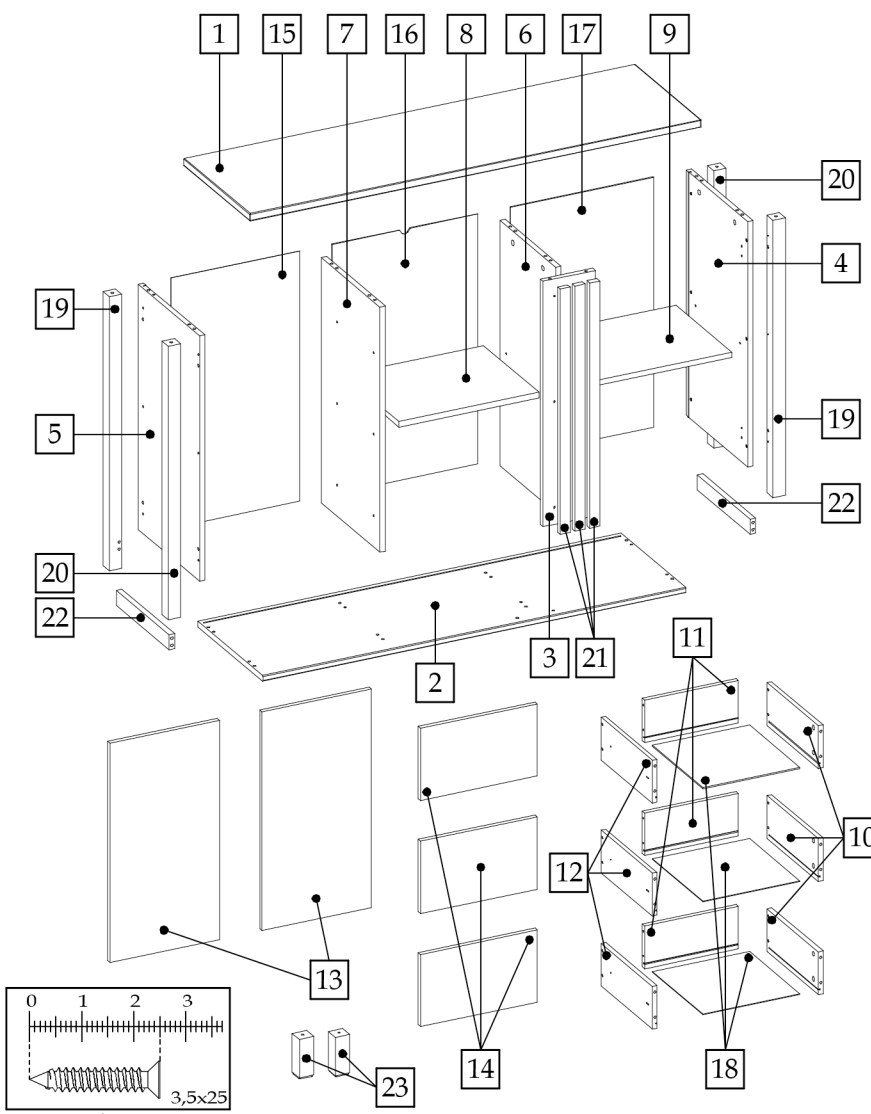
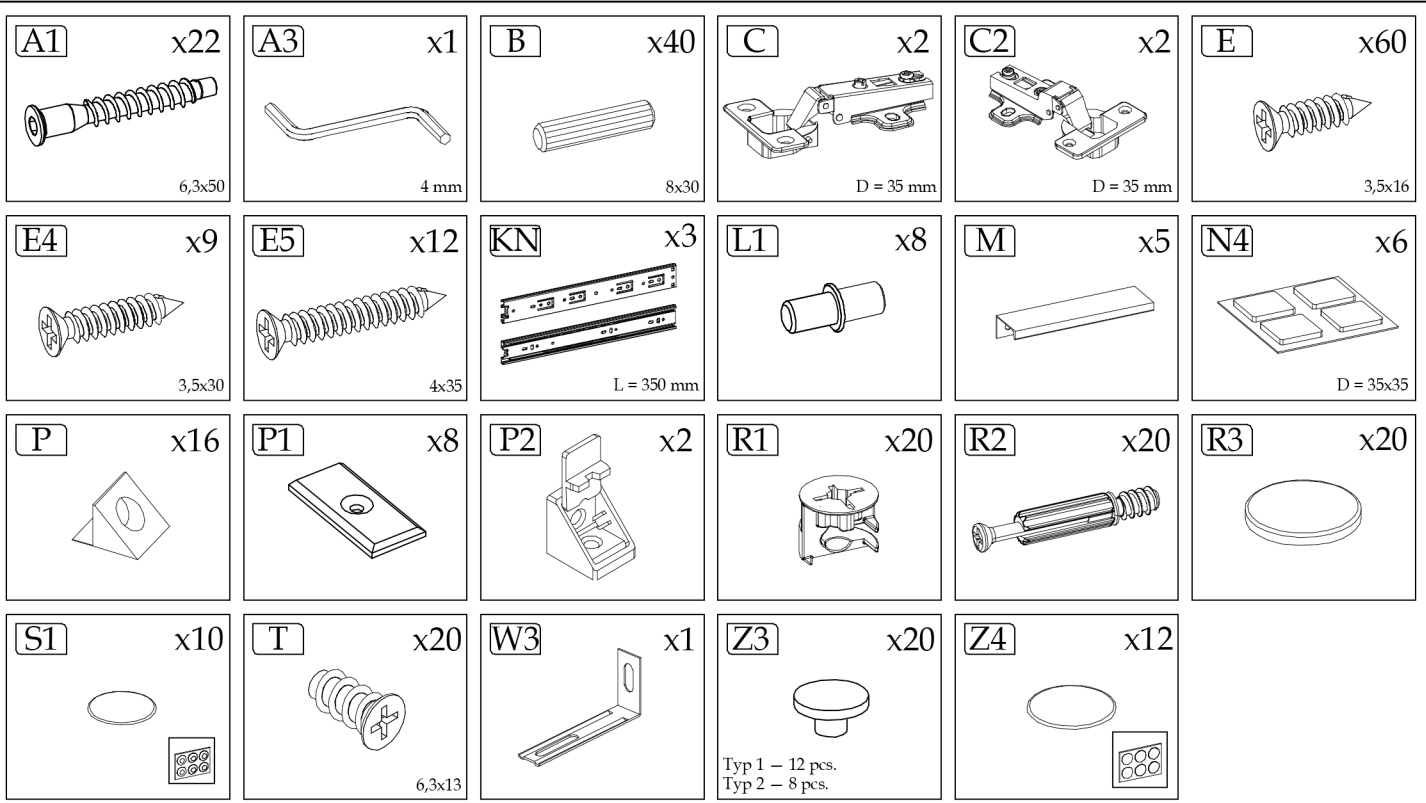


100 %
cotton

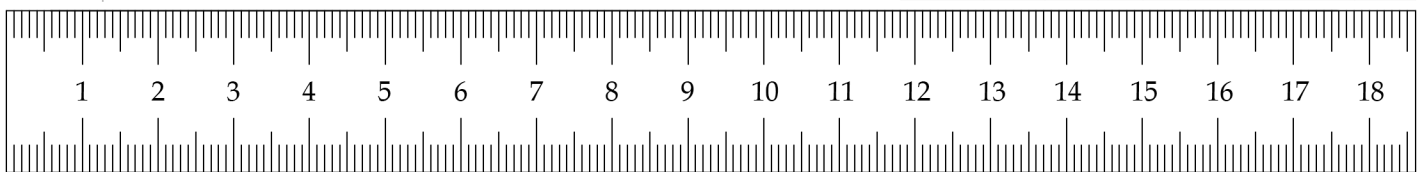
878 mm

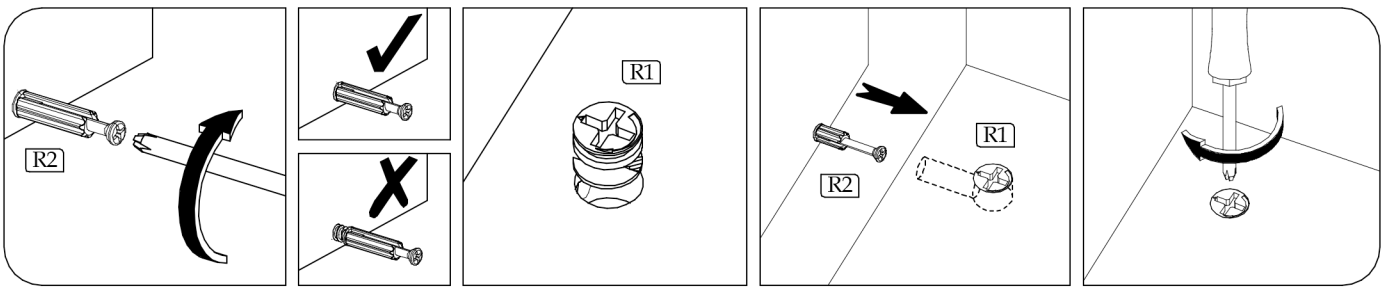
405 mm

1380 mm

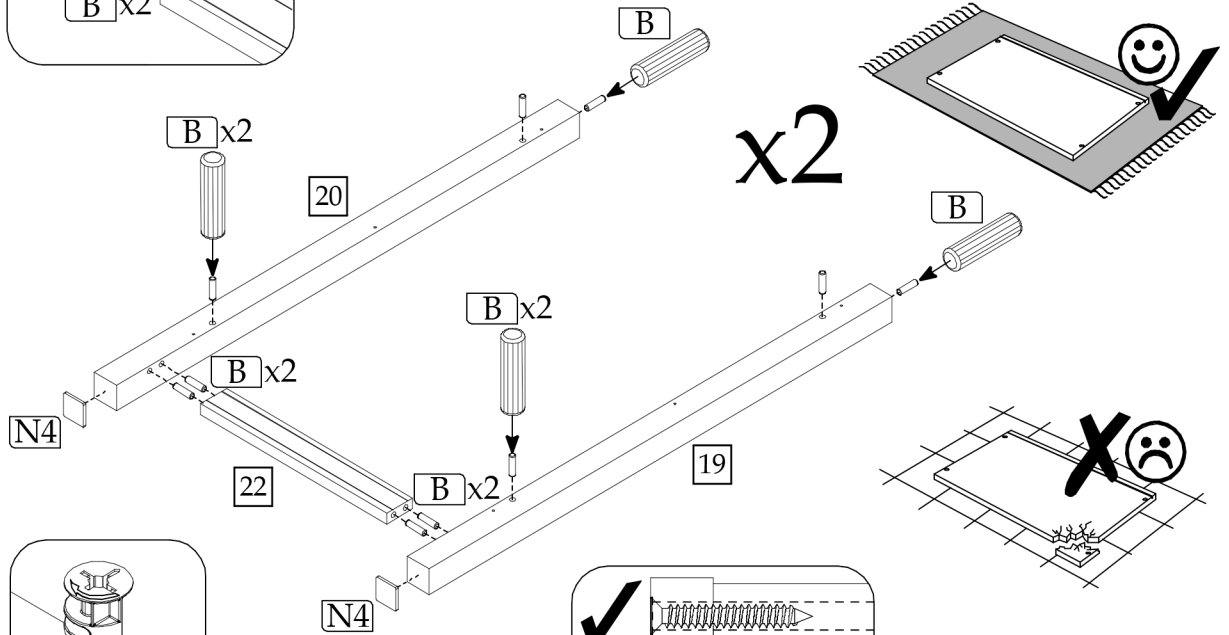
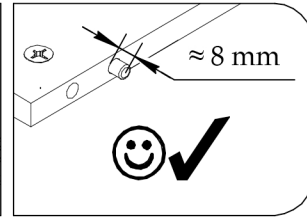
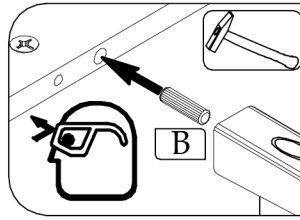
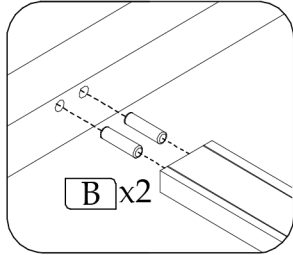


Element	Measurements				Code	Pack
1	1380	405	16	1	1001_EVOK	1/2
2	1294	398	16	1	1013_EVOK	1/2
3	160	722	16	1	1009	2/2
4	722	378	16	1	1011	2/2
5	722	378	16	1	1012	2/2
6	722	341	16	1	1042	1/2
7	722	360	16	1	1018	1/2
8	430	335	16	1	N/A	1/2
9	423	335	16	1	N/A	1/2
10	351	140	16	3	1027/1032/1037	1/2
11	320	139	16	3	1028/1033/1038	1/2
12	351	140	16	3	1029/1034/1039	1/2
13	716	372	16	2	1024/1025	2/2
14	397	236	16	3	1026/1031/1036	1/2
15	736	392	3	1	N/A	2/2
16	736	445	3	1	1050_v	2/2
17	736	438	3	1	N/A	2/2
18	330	344	3	3	N/A	2/2
19	858	38	38	2	EVOK_858x38_T1	2/2
20	858	38	38	2	EVOK_858x38_T2	2/2
21	722	30	16	3	P16_722x30x16	2/2
22	324	45	16	2	P16_324x45x16	1/2
23	120	38	38	2	EVOK_120x38x38	1/2

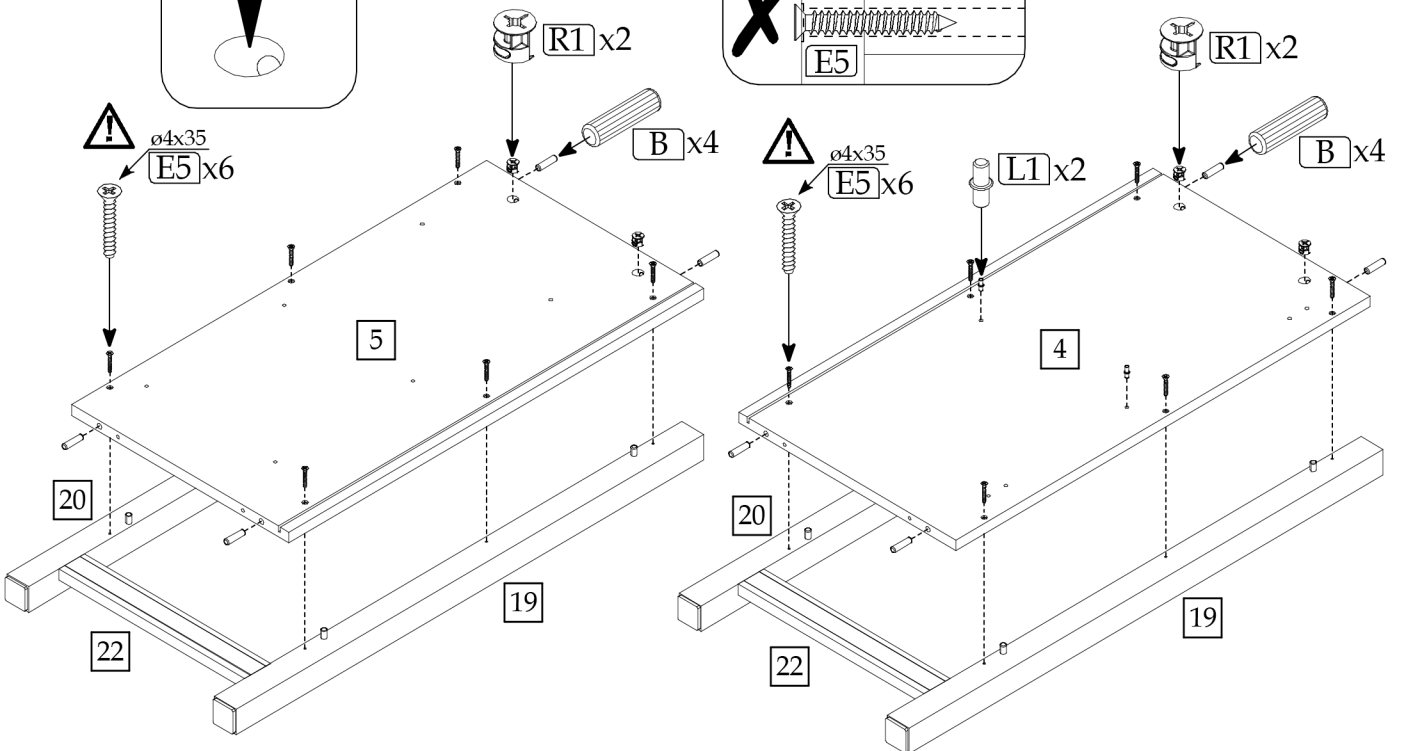
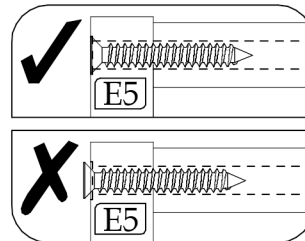
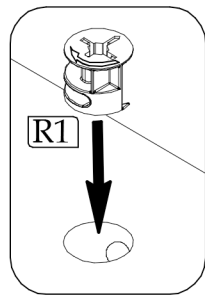




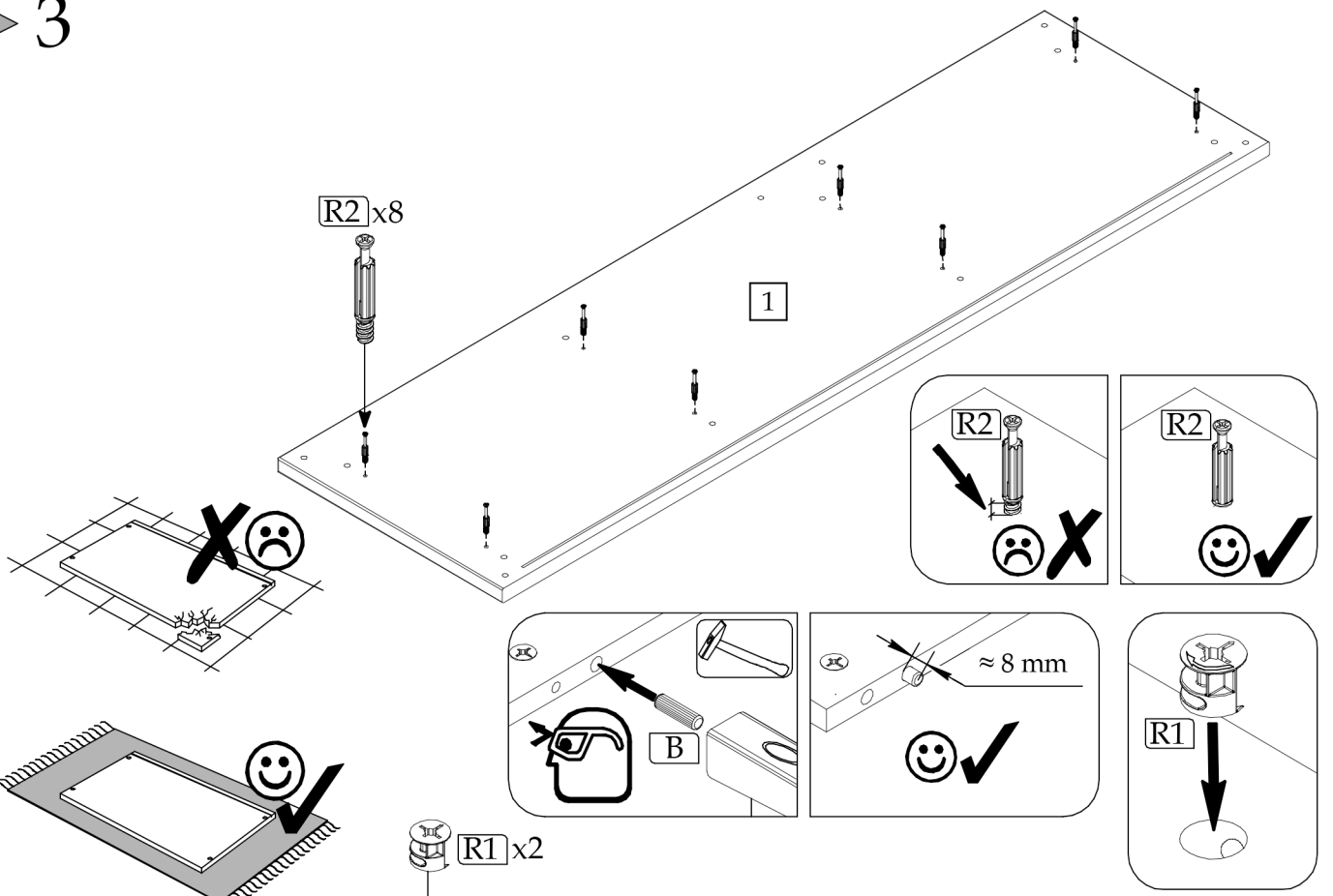
▶ 1



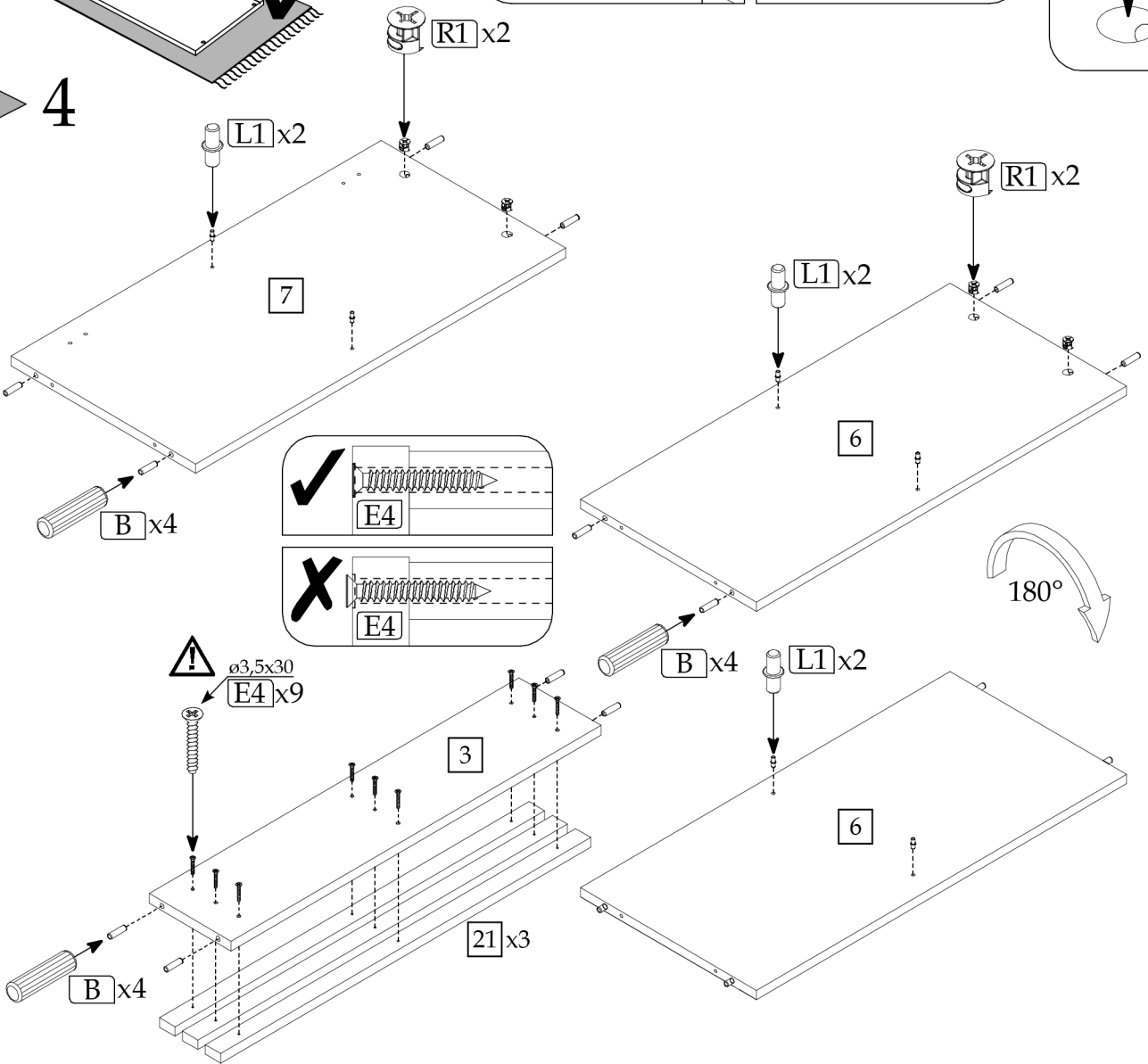
▶ 2

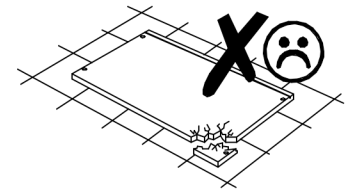
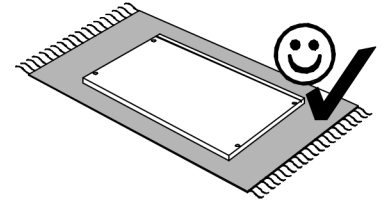
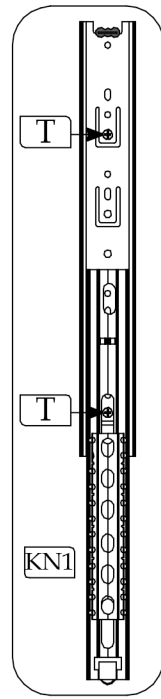
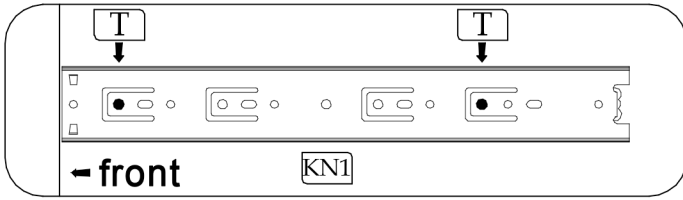
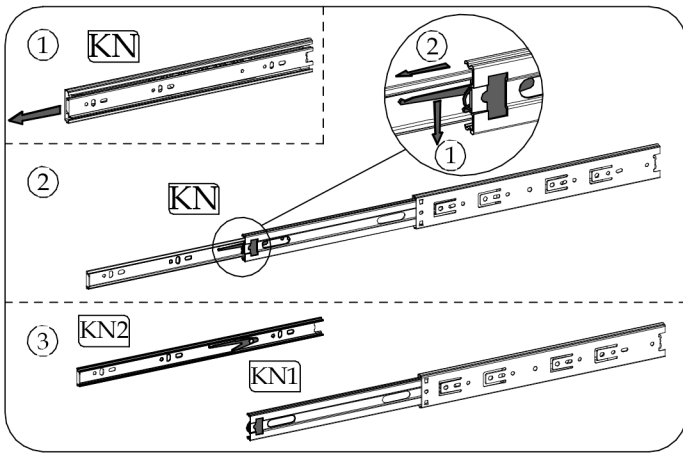


▶ 3

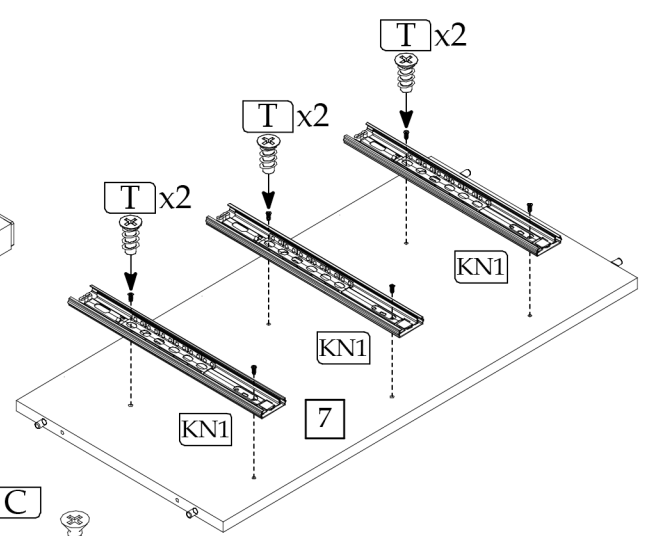
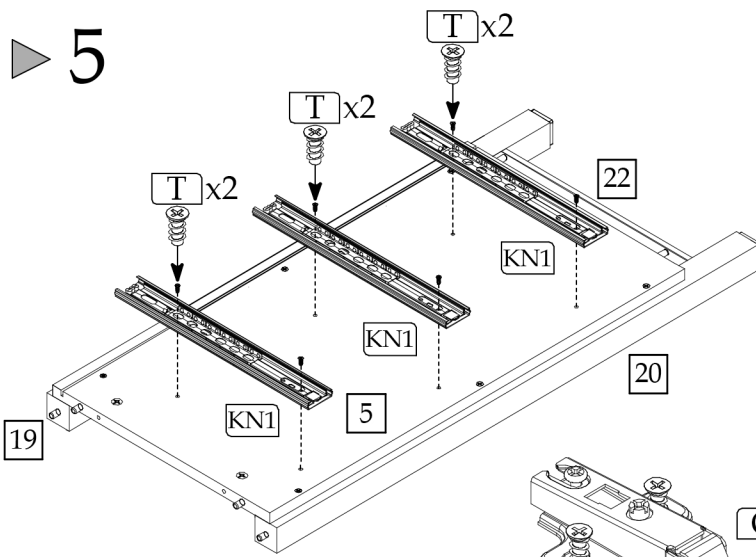


▶ 4

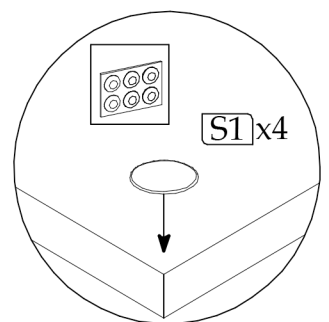
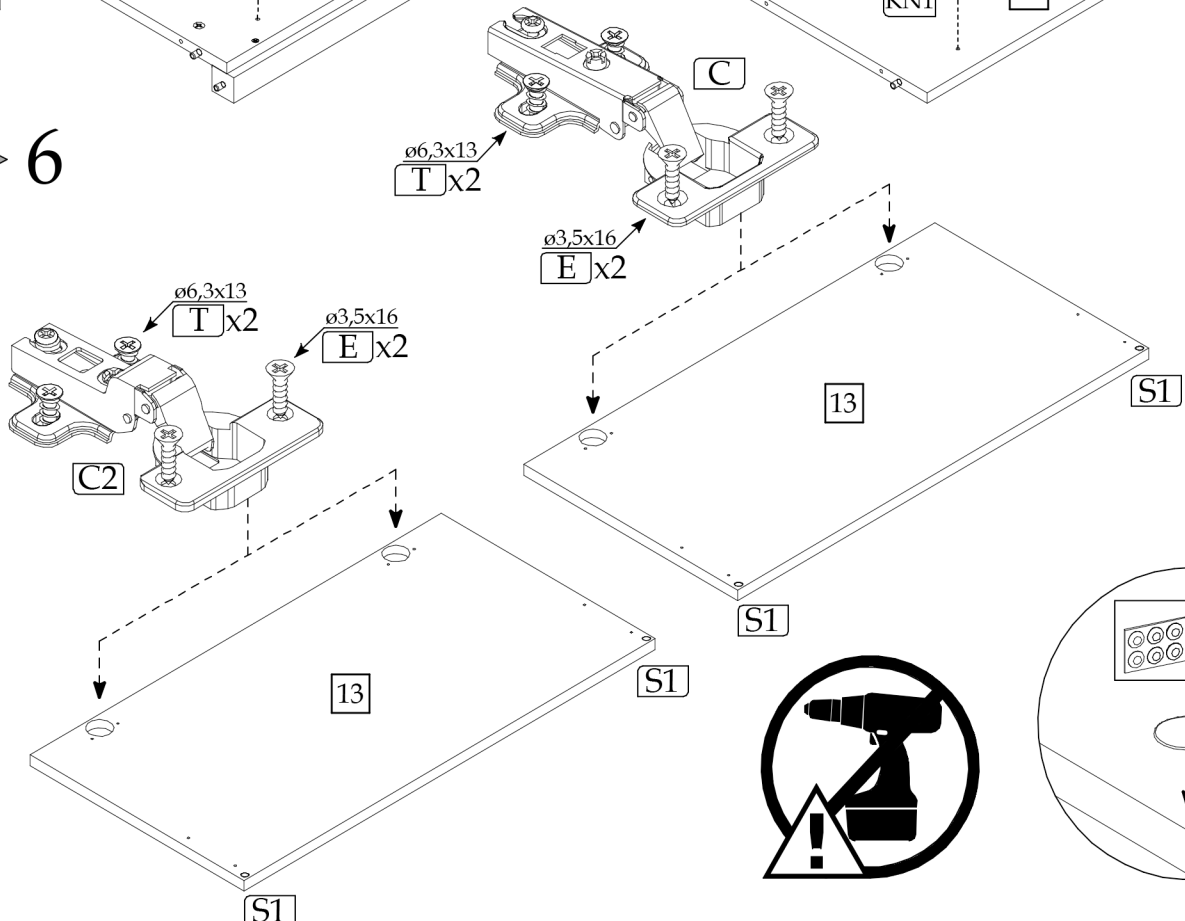




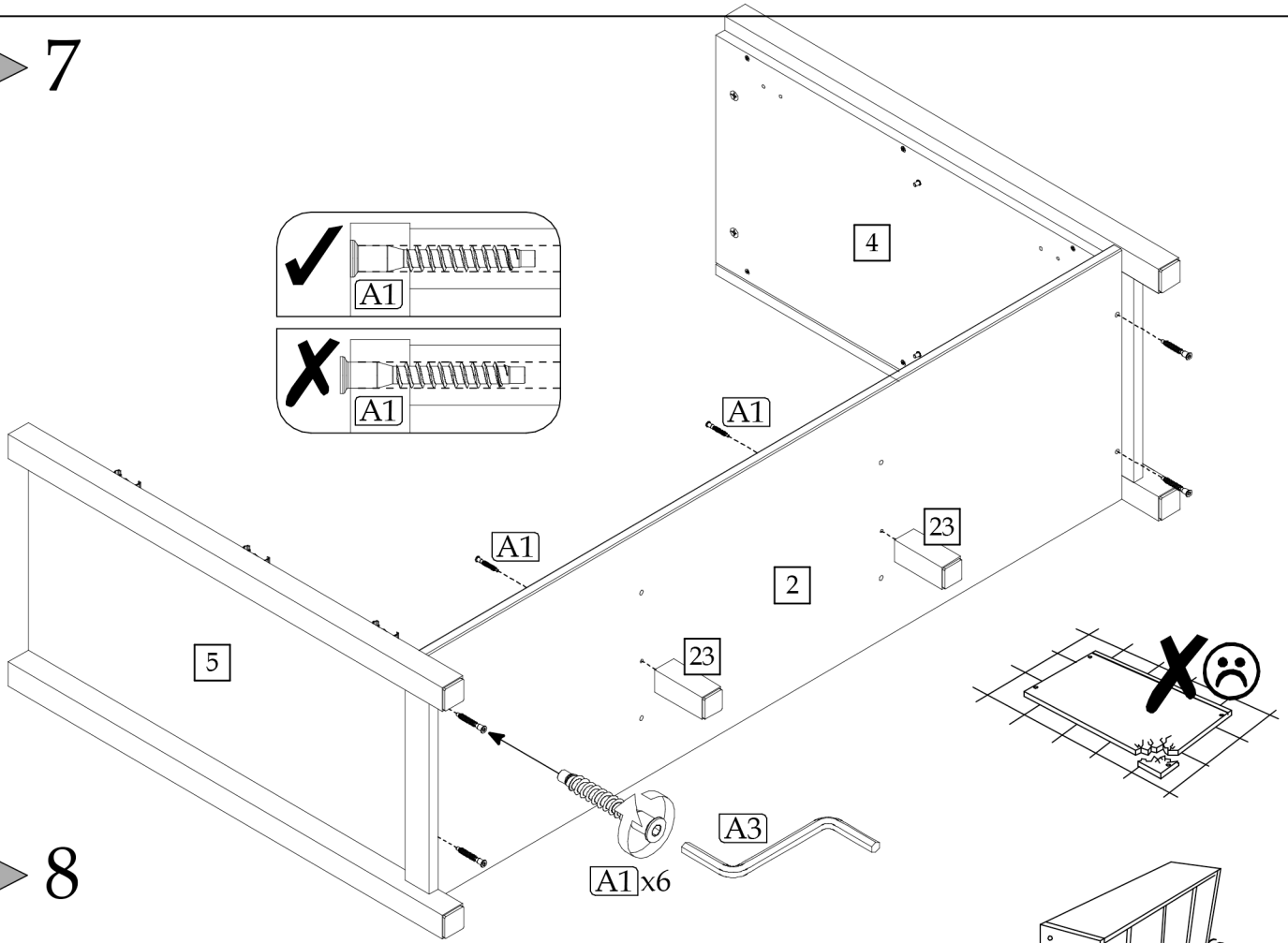
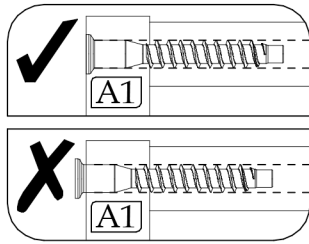
▶ 5



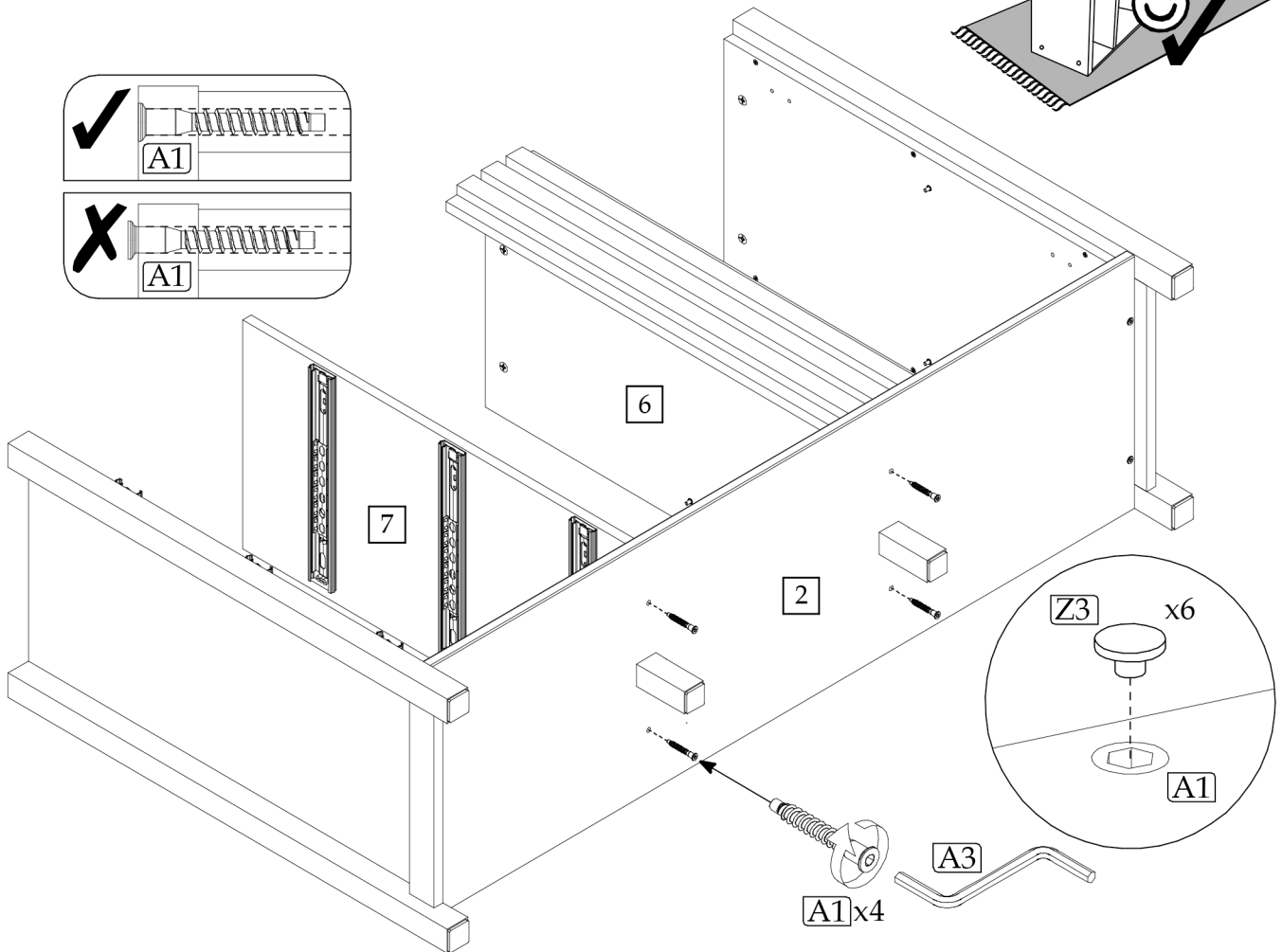
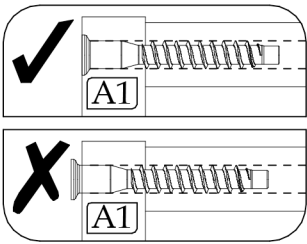
▶ 6



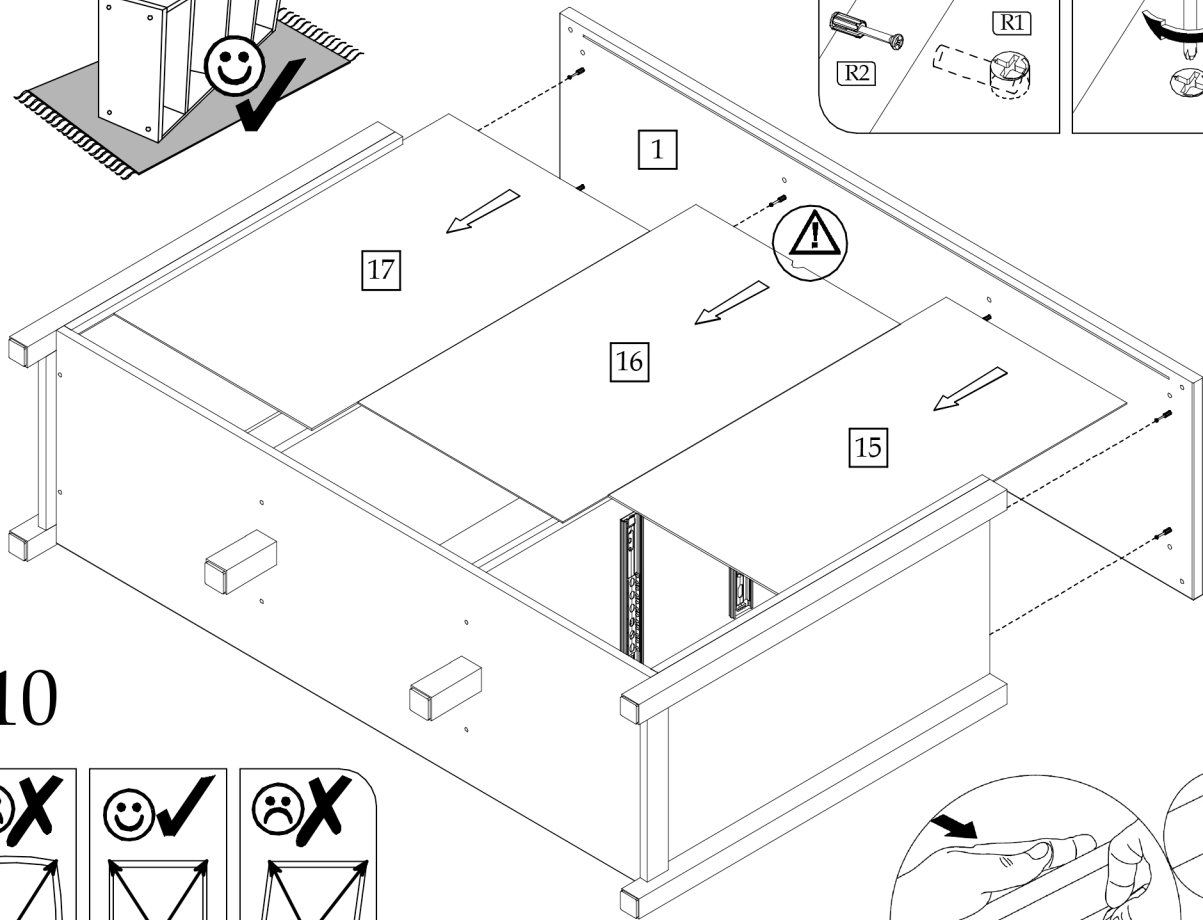
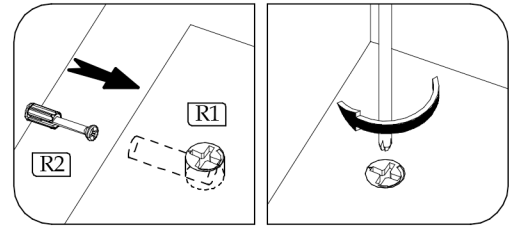
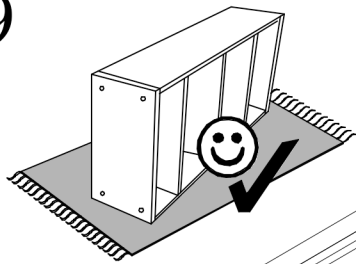
▶ 7



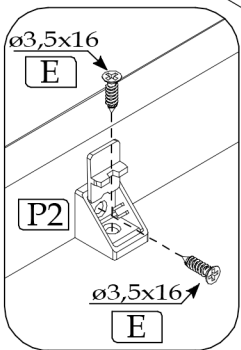
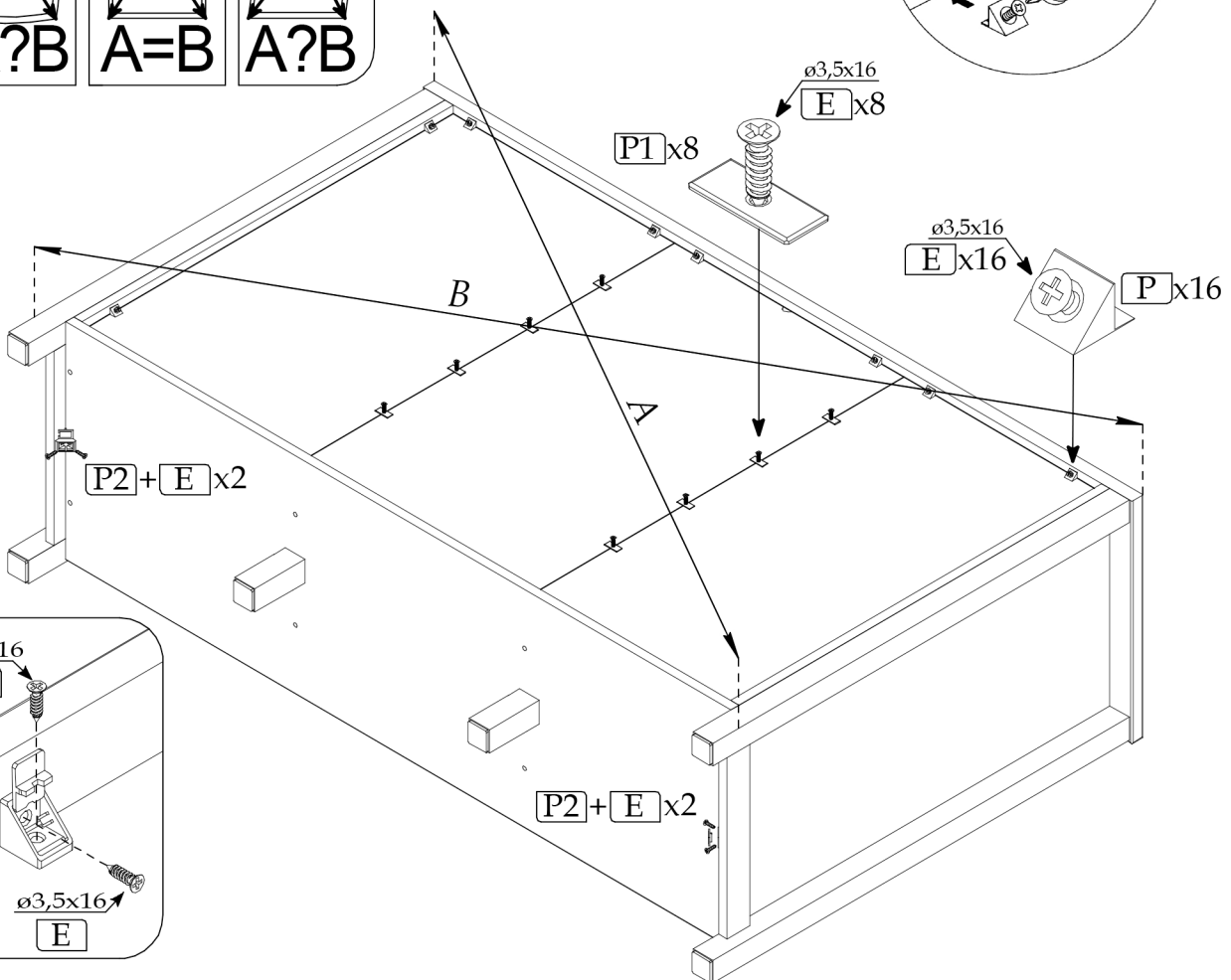
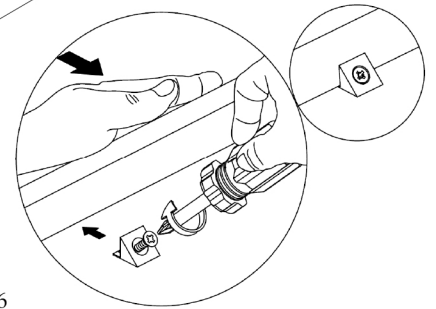
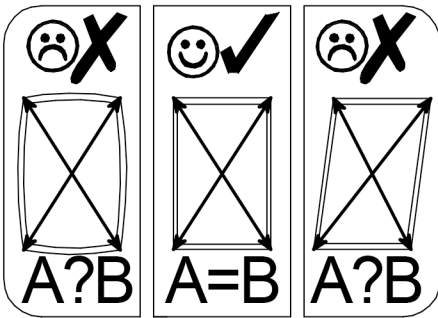
▶ 8



▶ 9

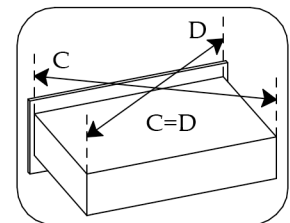
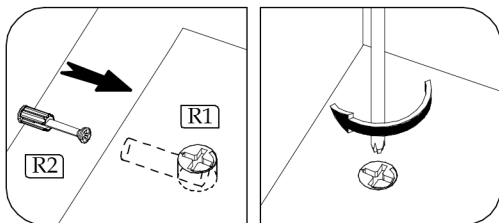
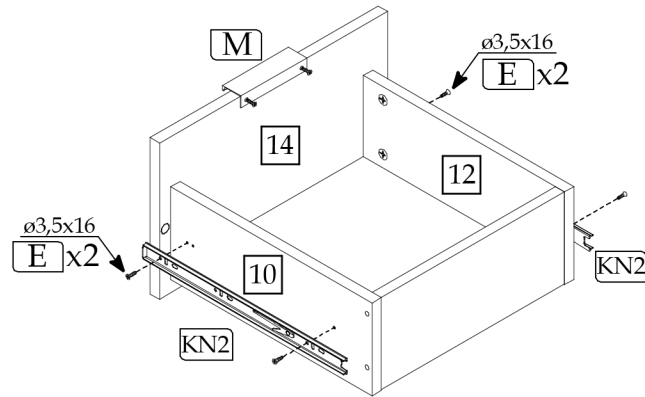
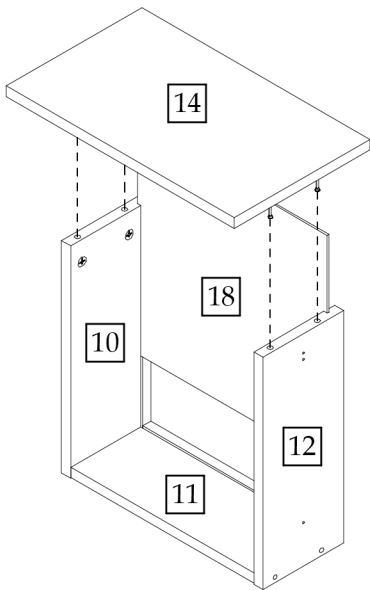
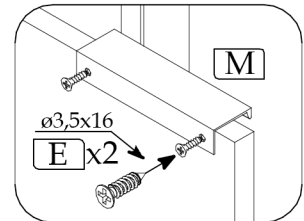
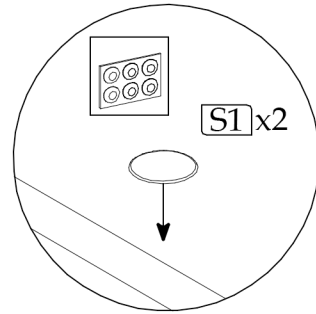
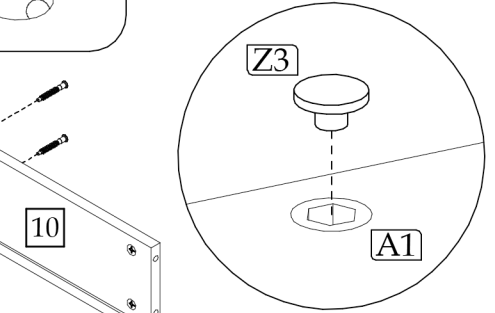
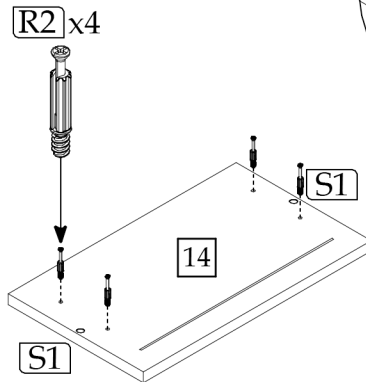
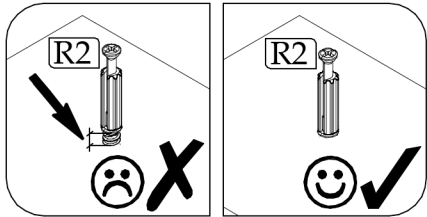
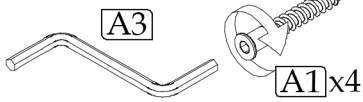
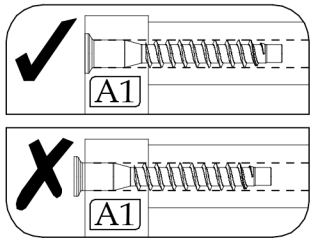
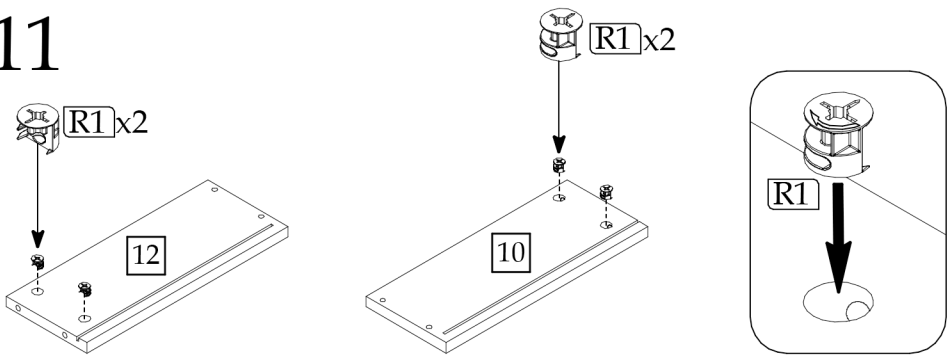


▶ 10

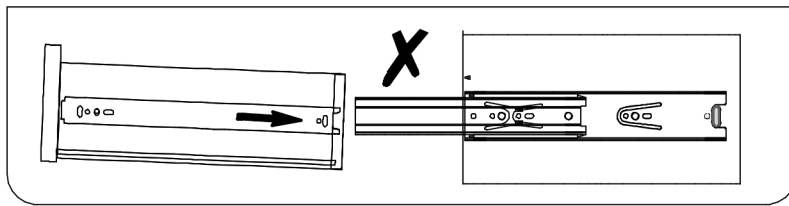
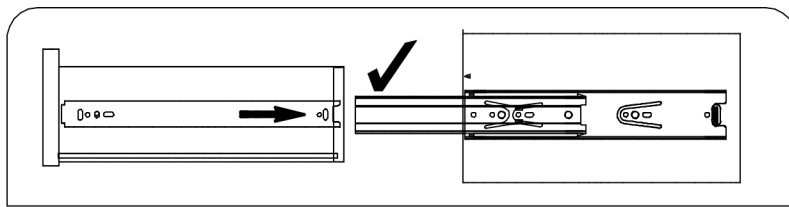
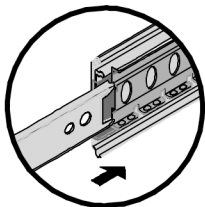
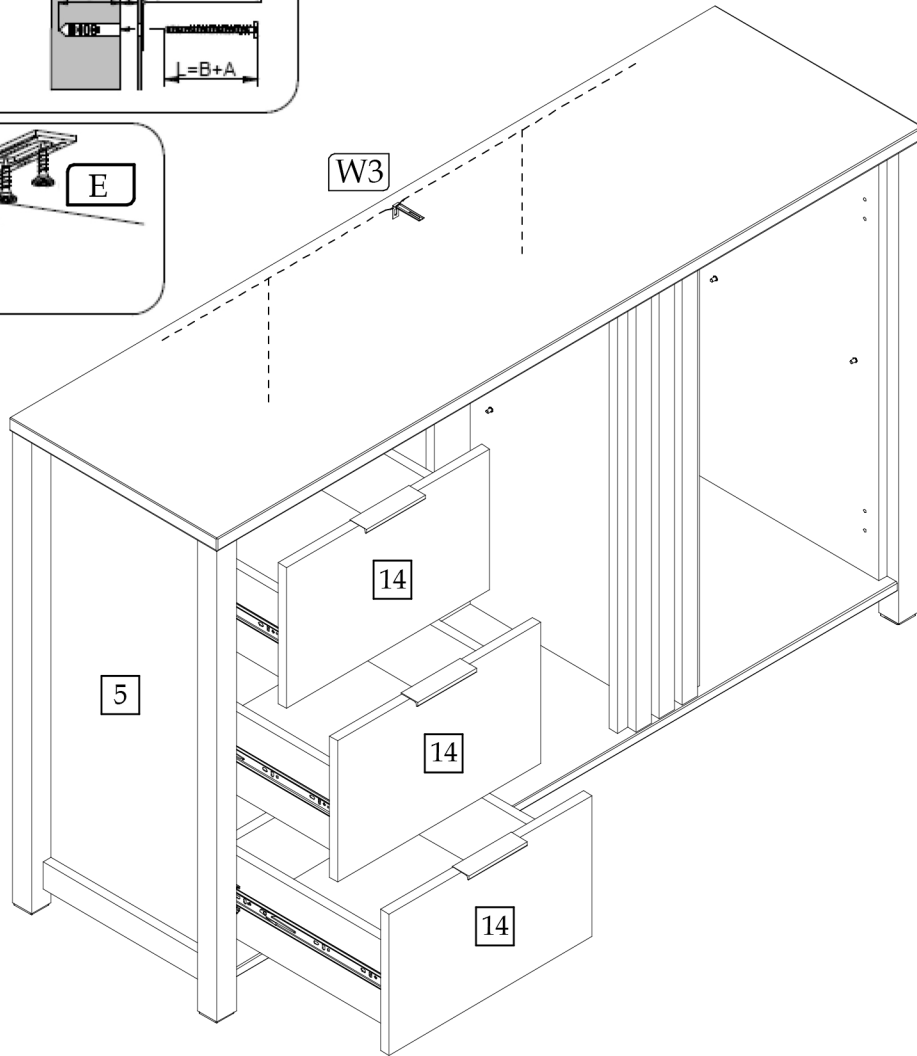
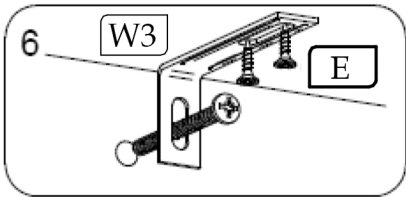
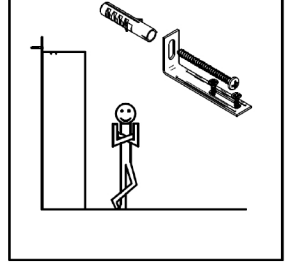
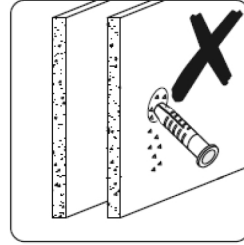
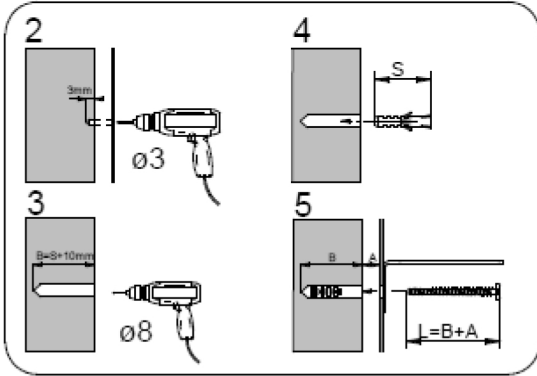
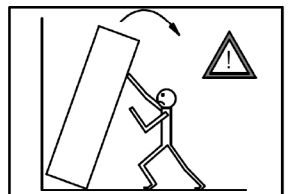
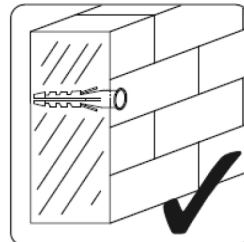
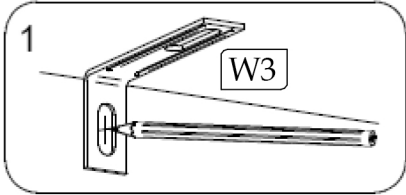


▶ 11

x3



▶ 12



▶ 13

